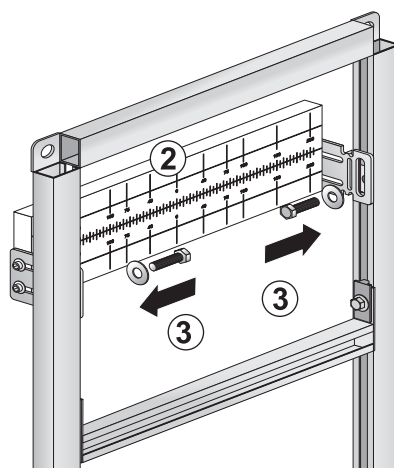
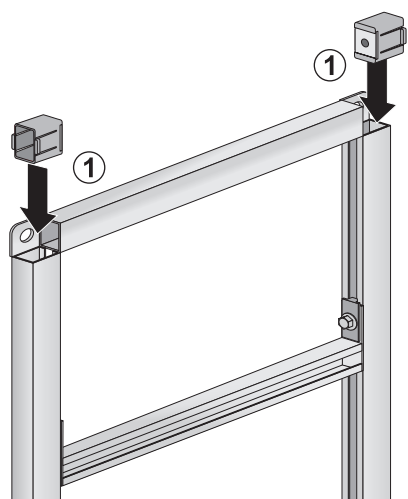
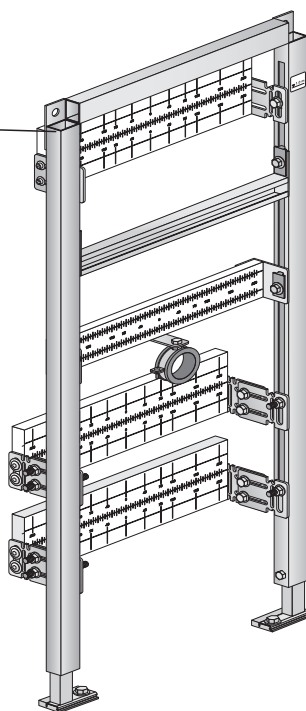
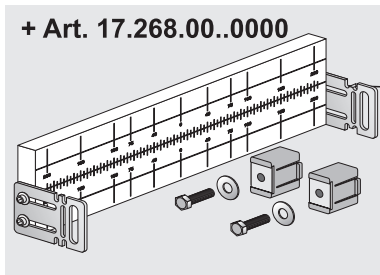


**UP/AP**



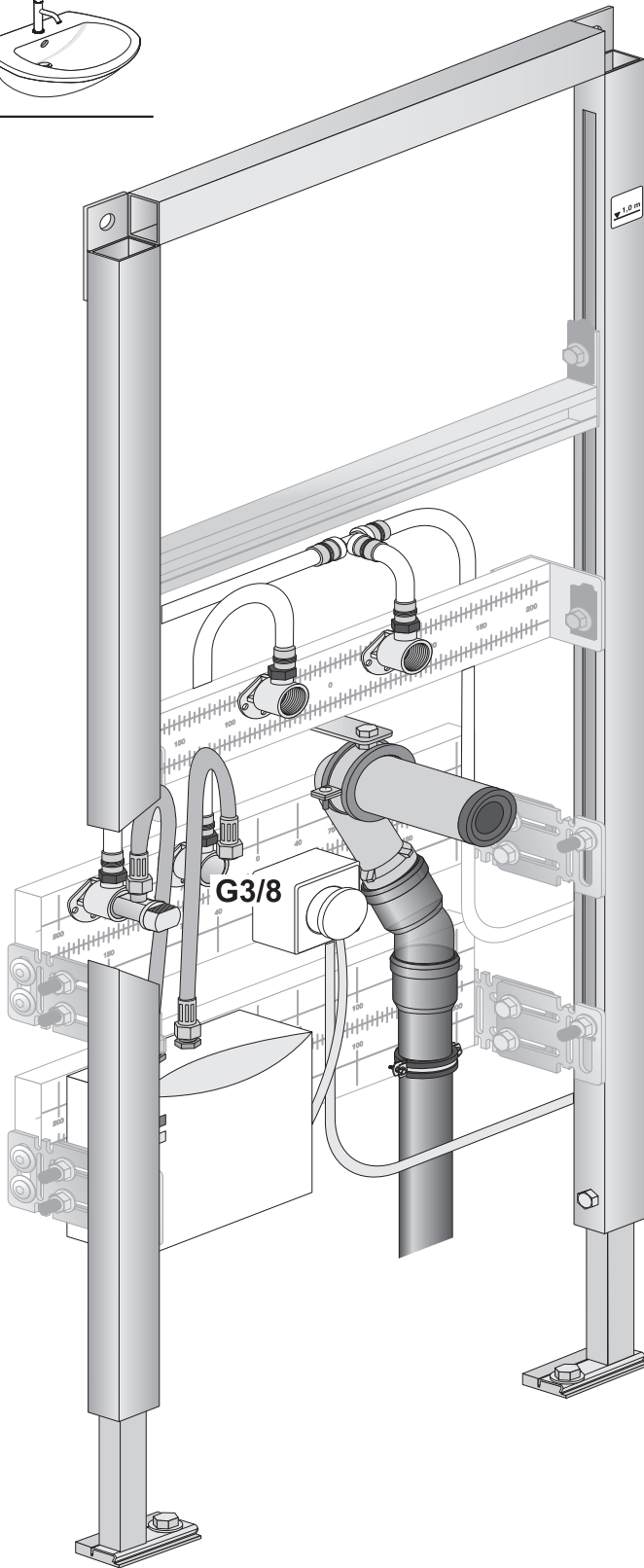
+ Art. 17.268.00..0000



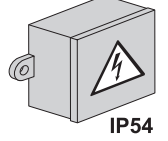
# Musterinstallation Sample installation



**i**



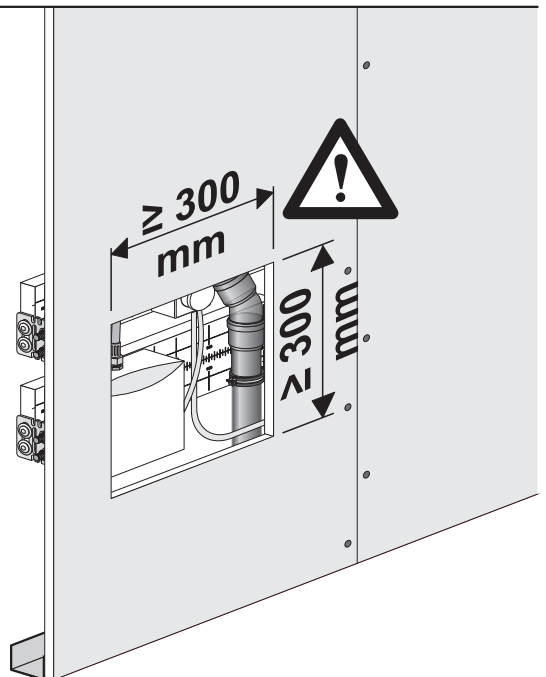
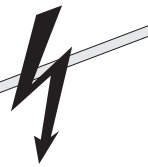
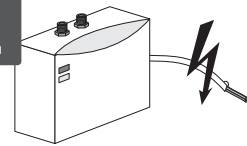
400V



230V



**i**



# Musterinstallation Sample installation

